

# LA/LAK 220



## Ford

Focus C-Max

10/03 →→

## Volvo

S40

01/04 →→

V50

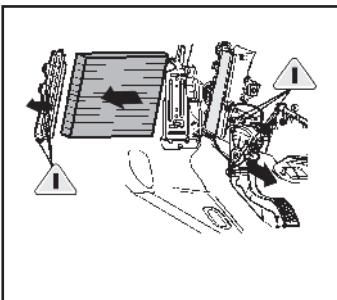
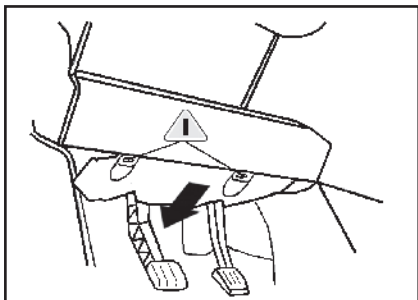
04/04 →→

© MAHLE

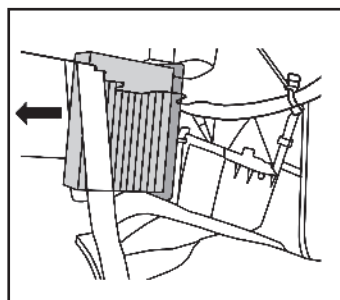
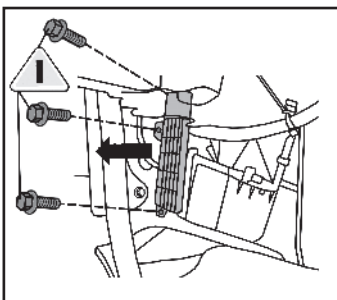
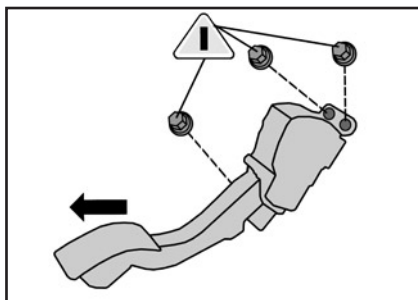
# LA/LAK 220



Ford Focus C-Max



Volvo S40, V50



© MAHLE